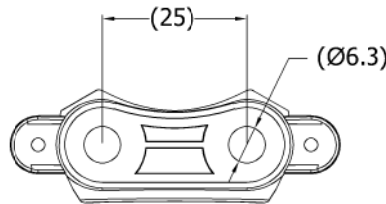
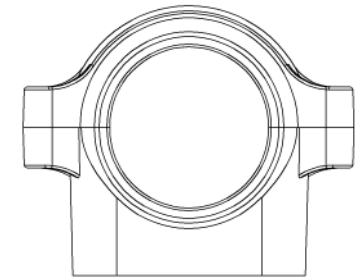
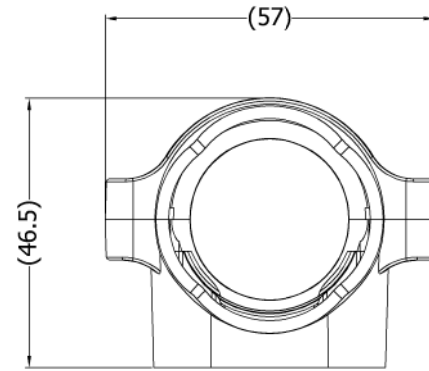
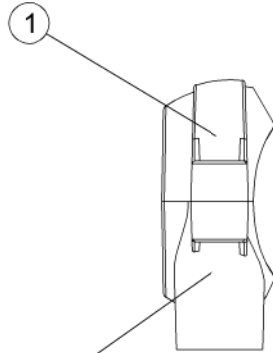


Revision Notes				
R1 -				
APA: -	Drawn:-	Checked:-	Approved:-	Date: -

ITEM	PART NUMBER	QTY	MODEL / DESCRIPTION
①	(5649)	1	VBV-3XXC-PM - US - UPPER SUPPORT
②	(5650)	1	VBV-3XXC-PM - LS - LOWER SUPPORT
③	(5758)	1	VBV-3XXC-PM - FIX - FIXING KIT (NOT SHOWN)
④	(5757)	1	VBV-3XXC-PM - IG - INSTALLATION GUIDE (NOT SHOWN)



- NOTES:**
1. COLOUR BLACK.
 2. MATERIAL: ALUMINUM GRADE ADC12.
 3. SURFACE TREATMENT: POWDER COATING, MATT SURFACE.
 4. NO BURS, NO STRAINS & NO SHARP CORNERS ON ANY FACE.
 5. PART CANNOT BE DEFORMED AND WARPED
 6. ALL DIMENSIONS ARE AFTER SURFACE TREATMENT APPLIED.
 7. FOR PRODUCT LABEL AND PACKAGING DETAILS REFER TO MASTER BOM.

PROPRIETARY NOTICE
 THIS DESIGN AND TECHNICAL INFORMATION APPEARING ON THIS DRAWING IS THE PROPERTY OF BRIGADE ELECTRONICS, AND IS DISCLOSED IN CONFIDENCE. IT IS NOT TO BE COPIED, REPRODUCED, REVEALED TO OR EXPROPRIATED BY OTHERS, EITHER IN WHOLE OR IN PART WITHOUT THE EXPRESS WRITTEN CONSENT OF BRIGADE ELECTRONICS.

BRIGADE[®]
 www.brigade-electronics.com

Assembly PI Approval J.LAM 14/02/19	Approved by B.CHILDS	Checked by J.TYRRELL	Drawn by W.SINDEN
Angle of Projection 	Units mm	Scale N/A	Released 14/02/19
Status RELEASED	Assembly Ref -		
Part No 5662	VBV-3XXC-PM BE003926-00-18		